

GROUND SLAB PLAN
SCALE = 1:100

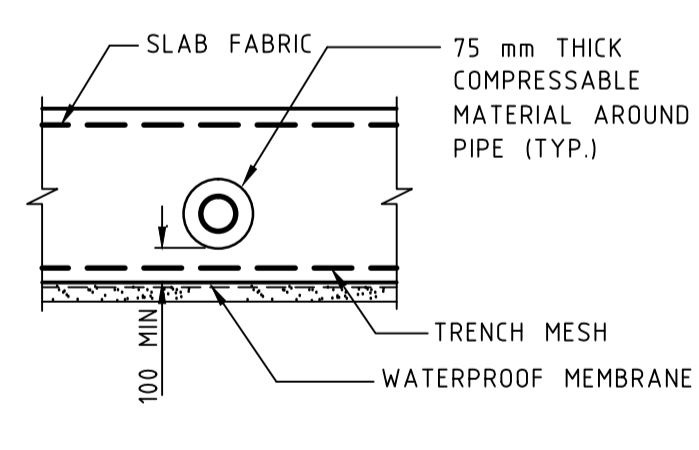
150 THICK R.C. SLAB U.N.O.
SL92 TOP & BTM MESH, 30mm COVER
PROVIDE 0.2mm VAPOUR BARRIER
ON 50mm SAND BED UNDER SLAB

NOTES:

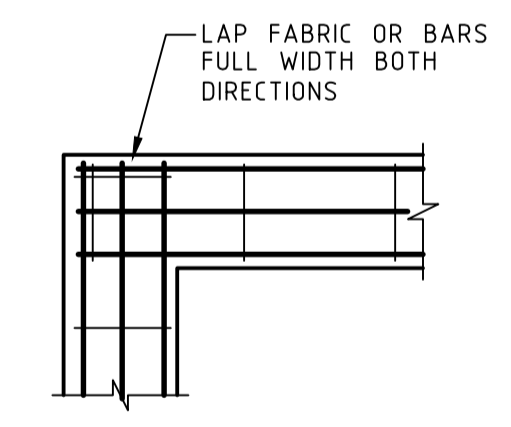
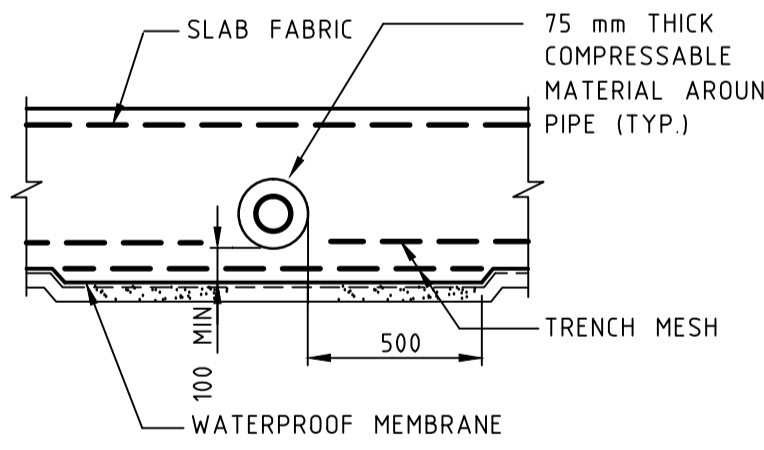
- DENOTES STUD WALL OVER.
- REFER DRAWING S03 FOR FRAMING DETAILS AND MEMBER SCHEDULE

FOOTING SCHEDULE

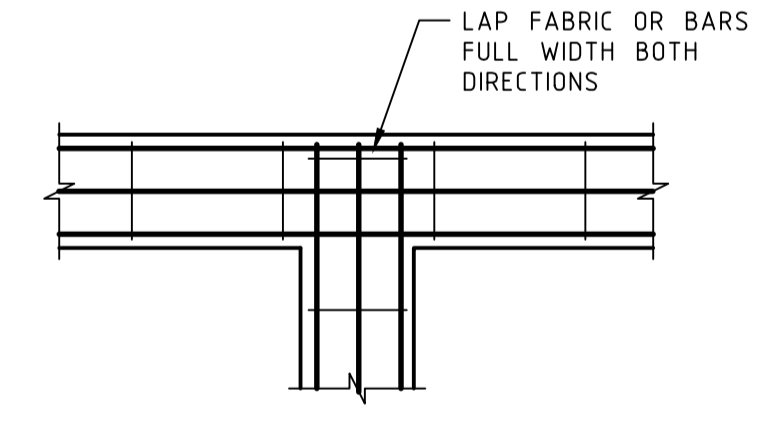
MARK	SIZE	REINFORCEMENT
SB1	600D x 300W	3-L12TM BTM, 2N12 TOP
SB2	600D x 300W	3N16 TOP & BTM
BP1	400 DIA BORED PIER	1N20 CENTRAL EMBEDDED TO LINE DRAWN AT 45 DEGREES TO INVERT OF ADJACENT SEWER PIPE, 2500mm MINIMUM



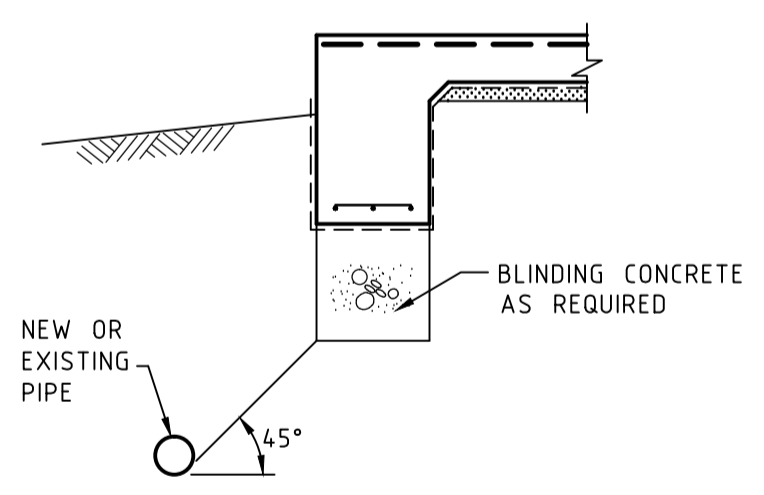
TYPICAL PIPE PENETRATION



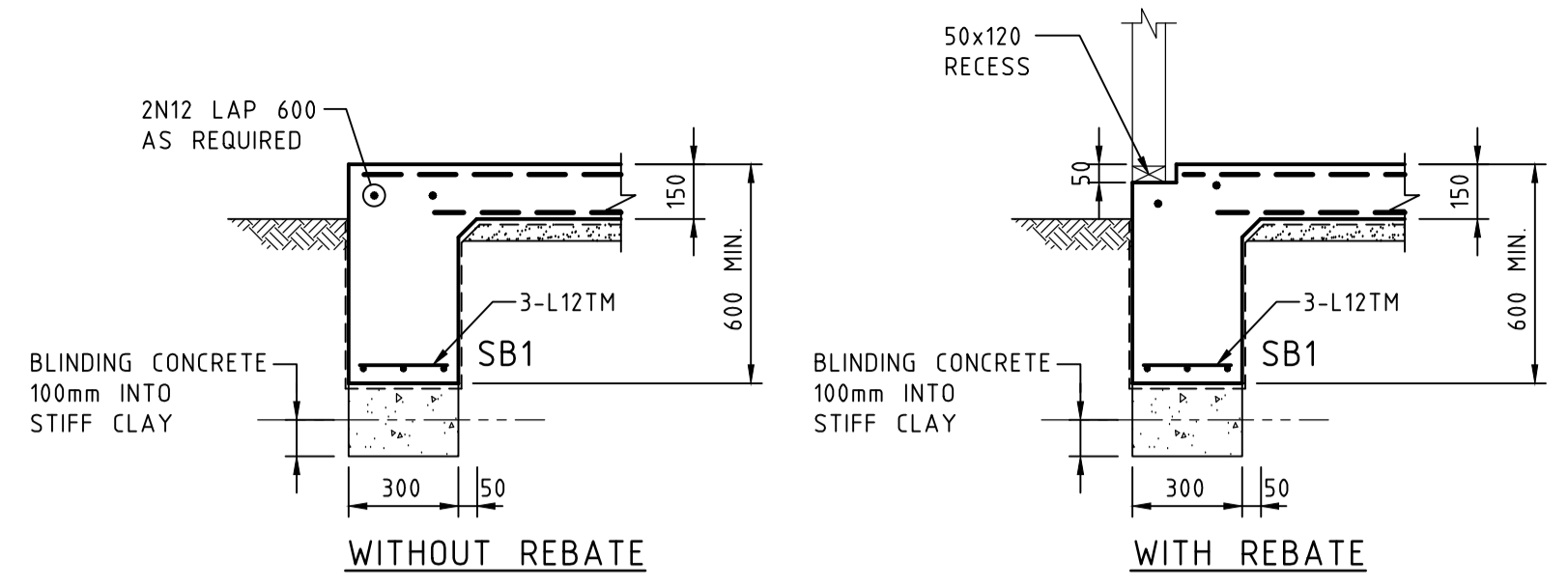
TYPICAL FOOTING CORNER DETAIL
N.T.S.



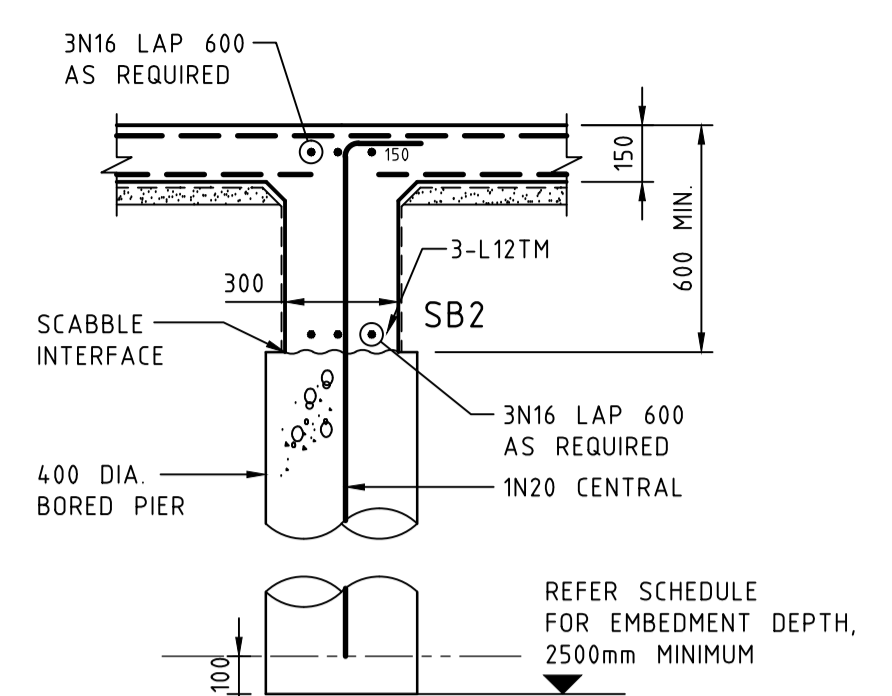
TYPICAL FOOTING INTERSECTION DETAIL
N.T.S.



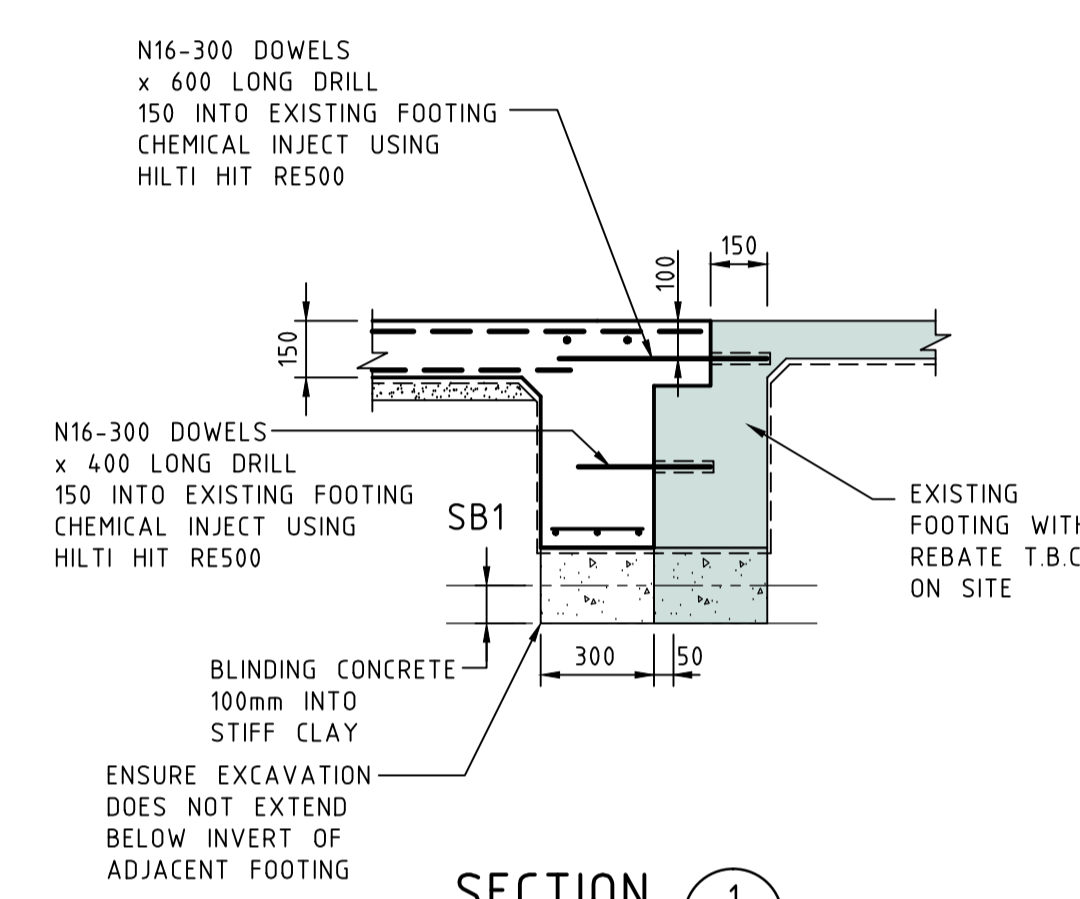
TYPICAL DETAIL EDGE BEAM AT SERVICE PIPE



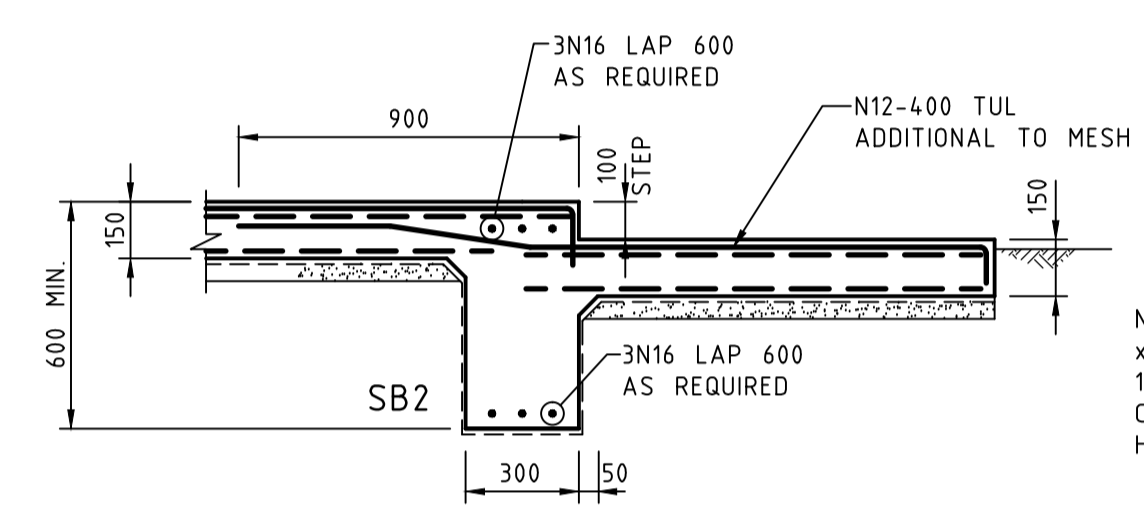
SLAB BEAM SB1
SCALE 1:20



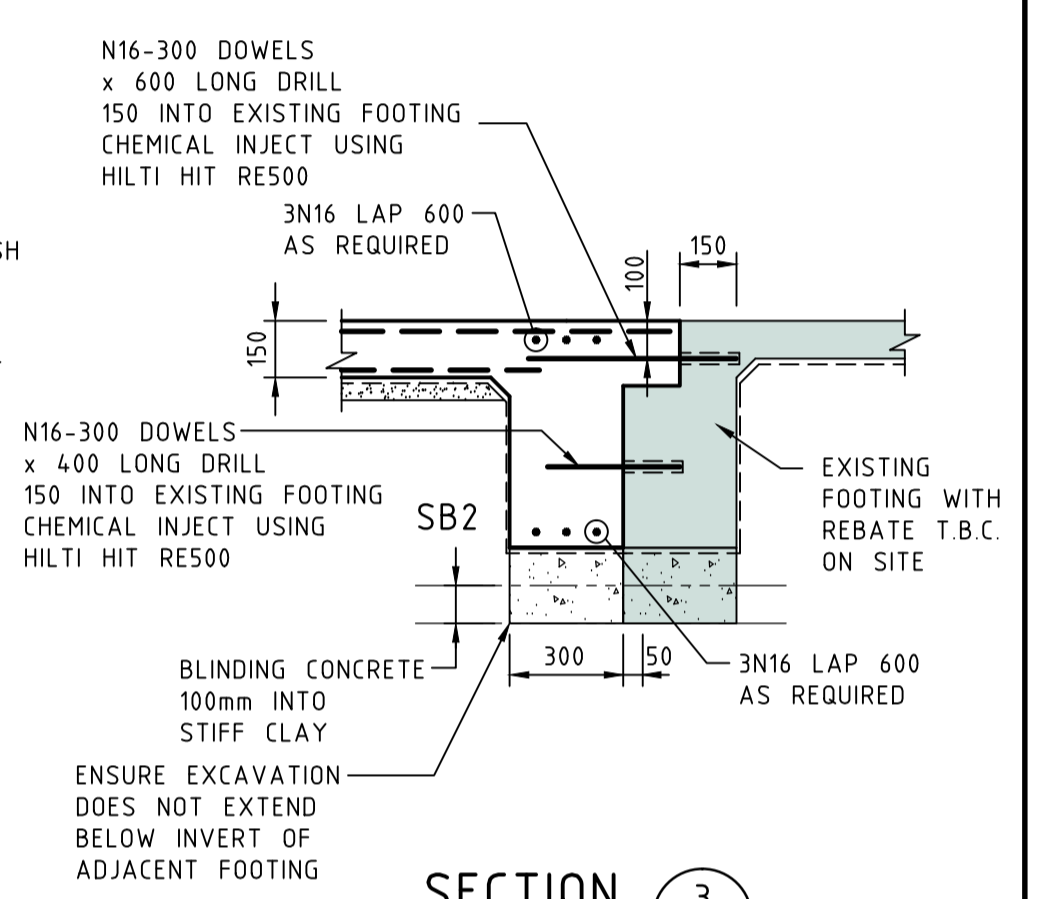
SLAB BEAM SB2
SCALE 1:20



SECTION 1
SCALE = 1:20



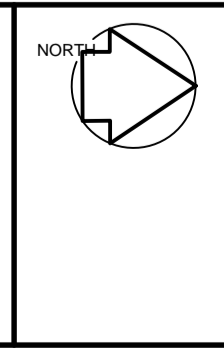
SECTION 2
SCALE = 1:20



SECTION 3
SCALE = 1:20

REVISIONS:

No.	DATE	DESCRIPTION	APPD.
0	26.04.13	CONSTRUCTION ISSUE	GDL
1	12.07.13	FOOTINGS REVISED	COR
2	12.07.13	BORED PIERS ADDED	COR



PROJECT
**FISHLOCK RESIDENCE
PROPOSED ADDITIONS &
ALTERATIONS**

DRAWING
**GROUND SLAB PLAN
AND DETAILS**

DESIGNED GDL	DATE APR 2013
DRAWN AEH	SCALE AS SHOWN @ A1
APPROVED	CHECKED
PROJECT No.	DRWG. No.
6708	S02